

Sea Box, Inc.

CORPORATE OFFICE
 802 Industrial Hwy.
 East Riverton, NJ 08077-1910
 Tel: (856) 303-1101
 Fax: (856) 303-1501
www.seabox.com
 e-mail: sales@seabox.com



Horizontal Twistlock

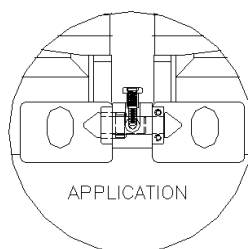
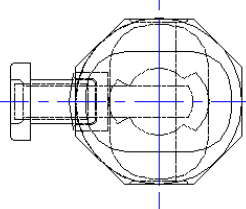
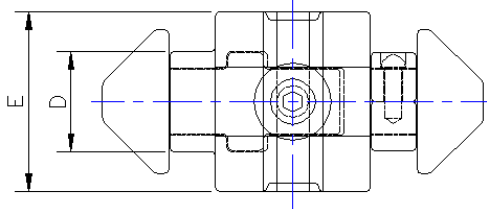
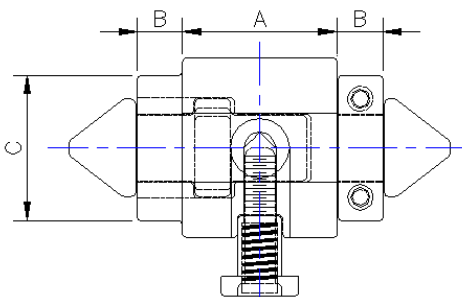
This item can be used to connect containers to form 20' and 40' units

— SPECIFICATIONS —

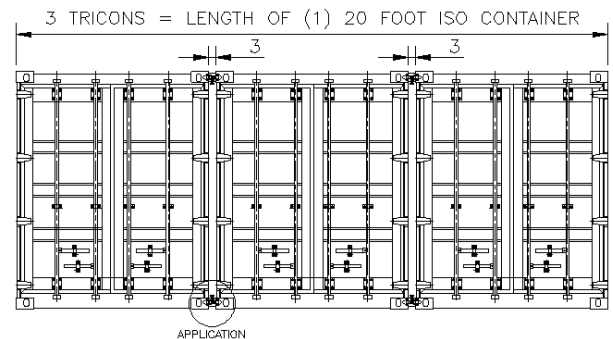
- ▼ Material forged steel
- ▼ Finish hot dipped galvanized
- ▼ Capacity safe working load 12 ton tension
- ▼ Rated capacity tension 27 tons
- ▼ Rated capacity shear 8.3 tons
- ▼ Rated capacity compression 20.8 tons
- ▼ Tare weight 10.5 lbs, 4.76 kg

— FEATURES —

- ▼ Compatible with all ISO type containers



TWISTLOCK	DIMENSIONAL INFORMATION				
	A	B	C	D	E
INCHES	3"	.88"	2.75"	1.88"	3.5"
METRIC	76	22.2	70	47.6	89



PART # SB341