

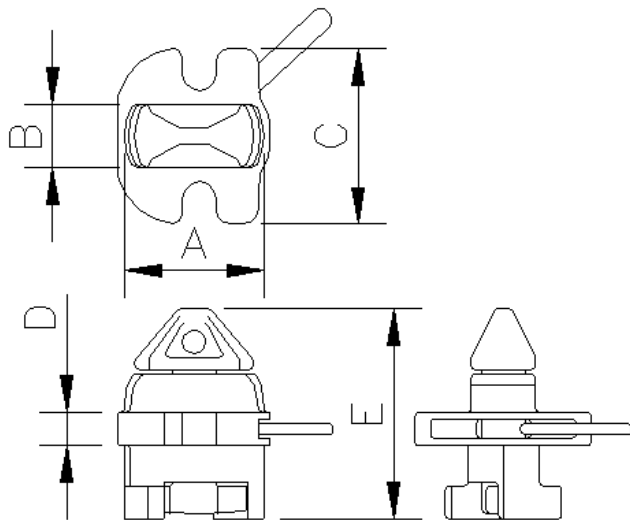
# Sea Box, Inc.

**CORPORATE OFFICE**  
 802 Industrial Hwy.  
 East Riverton, NJ 08077-1910  
 Tel: (856) 303-1101  
 Fax: (856) 303-1501  
[www.seabox.com](http://www.seabox.com)  
 e-mail: [sales@seabox.com](mailto:sales@seabox.com)



## Twistlock Stacker

This item can be used to stack  
 ISO containers



### — SPECIFICATIONS —

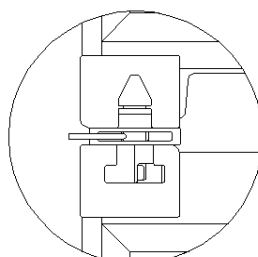
- ▼ Material forged steel
- ▼ Finish hot dipped galvanized
- ▼ Capacity safe working load 25 ton
- ▼ Rated capacity tension 50 tons
- ▼ Rated capacity shear 50 tons
- ▼ Rated capacity compression 100 tons
- ▼ Tare weight 13.5 lbs, 6.1 kg

### — FEATURES —

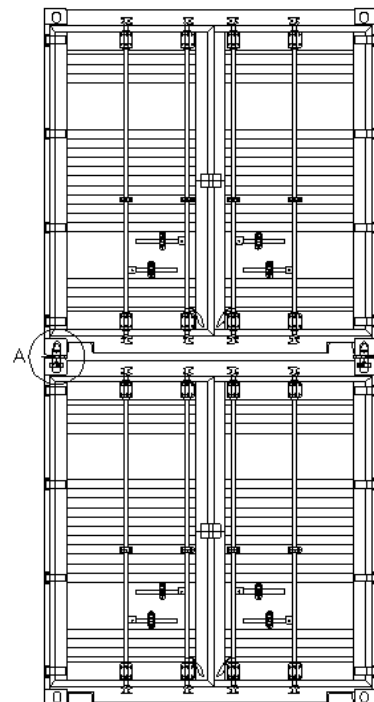
- ▼ Compatible with all ISO type containers

TWISTLOCK	DIMENSIONAL INFORMATION				
	A	B	C	D	E
INCHES	4.25"	2.25"	5.75"	1.06"	6.94"
METRIC	108	57.2	146	27.3	176.3

Order Information  
 SB441R = Right Hand (picture shown)  
 SB441L = Left Hand (drawing shown)



DETAIL A



**PART # SB441**